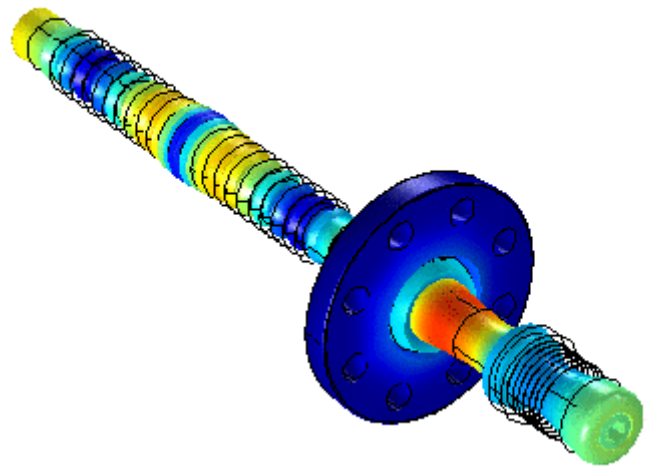
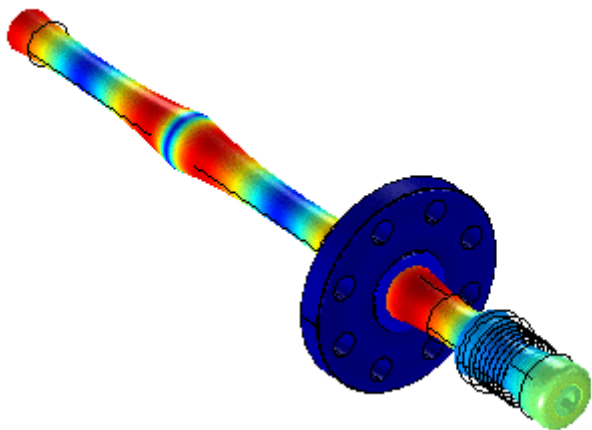
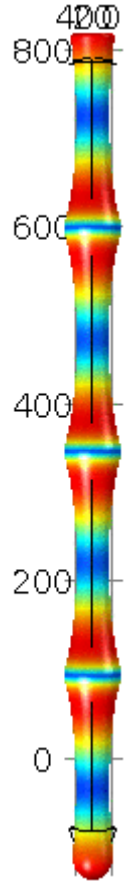
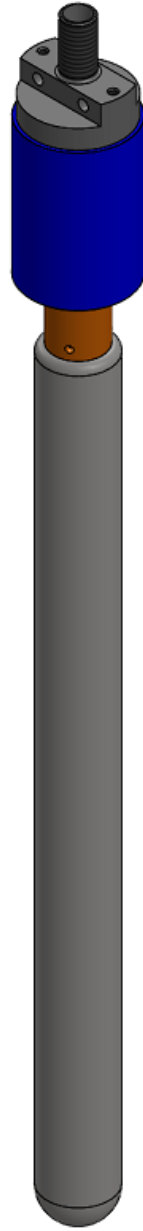
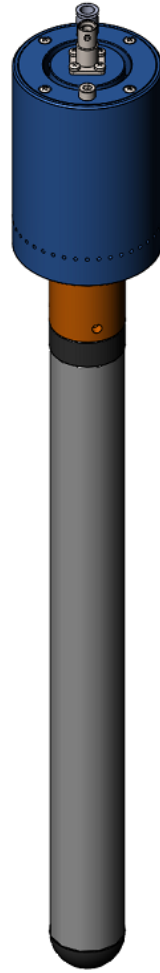
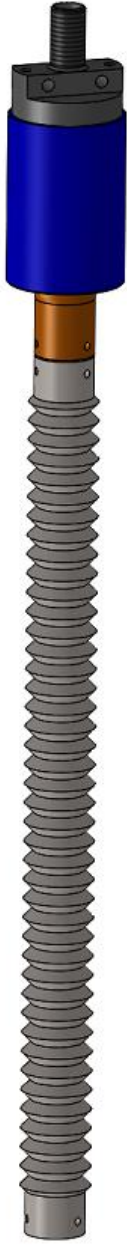
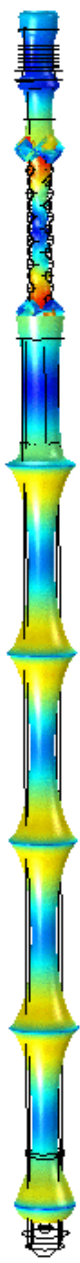


PROJECT DIRECTOR M. Prokic	DATE 27-05-2014	DEBUR AND BREAK SHARP EDGES	DO NOT SCALE DRAWING	REVISION
drew H. Puga	DATE MODIFY			
MATERIAL:				
General tolerance SN 258440				
dimension nominale (mm)	>3 ..6	>6 ..30	>30 ..120	>120 ..400
Ecarts (mm)	± 0.05	± 0.1	± 0.15	± 0.2
			± 0.3	± 0.5
MPI-ULTRASONICS MARAIIS 36 2400 Le Locle Switzerland e-mail : mpi@mpi-ultrasonics.com phone +41 (0) 32 9314045				Sonorod Publicity
SCALE: 1:1				SHEET 1 OF 1





MPI Push Pull Reactor

